

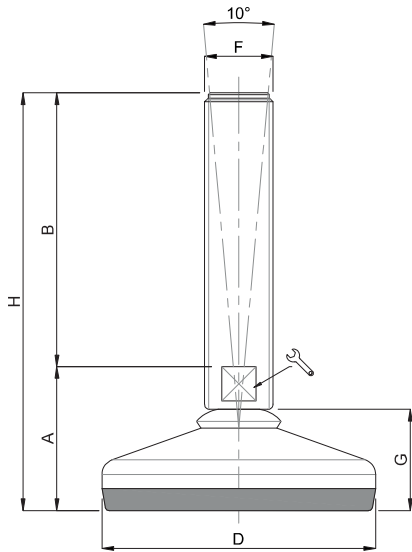
**NBR**



**EPDM**



CODICE - CODE		DESCRIZIONE description	DIMENSIONI PRINCIPALI - MAIN DIMENSIONS								CARICO LOAD NEWTON
Gomma NBR	Gomma EPDM blu		A	B	D			F	G	H	
24500R	24500RB	M10x50	32	50	ø 50	-	14	M10	24	82	4000
24502R	24502RB	M10x75	32	75	ø 50	-	14	M10	24	107	4000
24504R	24504RB	M10x100	32	100	ø 50	-	14	M10	24	132	4000
24506R	24506RB	M10x125	32	125	ø 50	-	14	M10	24	157	4000
24507R/BF	24507RB/BF	M10x150	35	150	ø 50	8	-	M10	24	185	4000
24508R/BF	24508RB/BF	M10x175	35	175	ø 50	8	-	M10	24	210	4000
24509R/BF	24509RB/BF	M10x200	35	200	ø 50	8	-	M10	24	235	4000
24600R	24600RB	M12x50	32	50	ø 50	-	14	M12	24	82	4000
24602R	24602RB	M12x75	32	75	ø 50	-	14	M12	24	107	4000
24604R	24604RB	M12x100	32	100	ø 50	-	14	M12	24	132	4000
24606R	24606RB	M12x125	32	125	ø 50	-	14	M12	24	157	4000
24607R/BF	24607RB/BF	M12x150	35	150	ø 50	10	-	M12	24	185	4000
24608R/BF	24608RB/BF	M12x175	35	175	ø 50	10	-	M12	24	210	4000
24609R/BF	24609RB/BF	M12x200	35	200	ø 50	10	-	M12	24	235	4000
24700R	24700RB	M14x75	32	75	ø 50	-	14	M14	24	107	4000
24702R	24702RB	M14x100	32	100	ø 50	-	14	M14	24	132	4000
24704R	24704RB	M14x125	32	125	ø 50	-	14	M14	24	157	4000
24706R	24706RB	M14x150	32	150	ø 50	-	14	M14	24	182	4000
24708R	24708RB	M14x175	32	175	ø 50	-	14	M14	24	207	4000
24800R	24800RB	M16x75	35	75	ø 50	13	-	M16	24	110	4000
24802R	24802RB	M16x100	35	100	ø 50	13	-	M16	24	135	4000
24804R	24804RB	M16x125	35	125	ø 50	13	-	M16	24	160	4000
24806R	24806RB	M16x150	35	150	ø 50	13	-	M16	24	185	4000
24808R	24808RB	M16x175	35	175	ø 50	13	-	M16	24	210	4000
24810R	24810RB	M16x200	35	200	ø 50	13	-	M16	24	235	4000

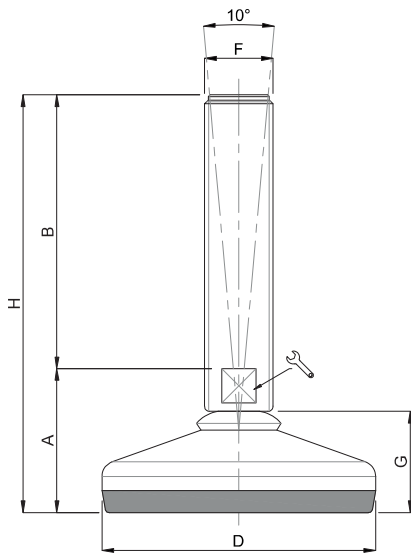


INOX

NBR

EPDM

CODICE - CODE		DESCRIZIONE description	DIMENSIONI PRINCIPALI - MAIN DIMENSIONS								CARICO LOAD NEWTON
Gomma NBR	Gomma EPDM blu		A	B	D			F	G	H	
24510R	24510RB	M10x50	35	50	ø 60	-	14	M10	27	85	7000
24512R	24512RB	M10x75	35	75	ø 60	-	14	M10	27	110	7000
24514R	24514RB	M10x100	35	100	ø 60	-	14	M10	27	135	7000
24516R	24516RB	M10x125	35	125	ø 60	-	14	M10	27	160	7000
24518R/BF	24518RB/BF	M10x150	40	150	ø 60	8	-	M10	27	190	7000
24520R/BF	24520RB/BF	M10x175	40	175	ø 60	8	-	M10	27	215	7000
24522R/BF	24522RB/BF	M10x200	40	200	ø 60	8	-	M10	27	240	7000
24610R	24610RB	M12x50	35	50	ø 60	-	14	M12	27	85	7000
24612R	24612RB	M12x75	35	75	ø 60	-	14	M12	27	110	7000
24614R	24614RB	M12x100	35	100	ø 60	-	14	M12	27	135	7000
24616R	24616RB	M12x125	35	125	ø 60	-	14	M12	27	160	7000
24618R/BF	24618RB/BF	M12x150	40	150	ø 60	10	-	M12	27	190	7000
24620R/BF	24620RB/BF	M12x175	40	175	ø 60	10	-	M12	27	215	7000
24622R/BF	24622RB/BF	M12x200	40	200	ø 60	10	-	M12	27	240	7000
24710R	24710RB	M14x75	35	75	ø 60	-	14	M14	27	110	7000
24712R	24712RB	M14x100	35	100	ø 60	-	14	M14	27	135	7000
24714R	24714RB	M14x125	35	125	ø 60	-	14	M14	27	160	7000
24716R	24716RB	M14x150	35	150	ø 60	-	14	M14	27	185	7000
24718R	24718RB	M14x175	35	175	ø 60	-	14	M14	27	210	7000
24814R	24814RB	M16x75	40	75	ø 60	13	-	M16	27	115	7000
24816R	24816RB	M16x100	40	100	ø 60	13	-	M16	27	140	7000
24818R	24818RB	M16x125	40	125	ø 60	13	-	M16	27	165	7000
24820R	24820RB	M16x150	40	150	ø 60	13	-	M16	27	190	7000
24822R	24822RB	M16x175	40	175	ø 60	13	-	M16	27	215	7000
24824R	24824RB	M16x200	40	200	ø 60	13	-	M16	27	240	7000
24910R	24910RB	M20x75	40	75	ø 60	17	-	M20	27	115	7000
24912R	24912RB	M20x100	40	100	ø 60	17	-	M20	27	140	7000
24914R	24914RB	M20x125	40	125	ø 60	17	-	M20	27	165	7000
24916R	24916RB	M20x150	40	150	ø 60	17	-	M20	27	190	7000
24918R	24918RB	M20x175	40	175	ø 60	17	-	M20	27	215	7000
24920R	24920RB	M20x200	40	200	ø 60	17	-	M20	27	240	7000
24922R	24922RB	M20x225	40	225	ø 60	17	-	M20	27	265	7000
24924R	24924RB	M20x250	40	250	ø 60	17	-	M20	27	290	7000



**NBR**

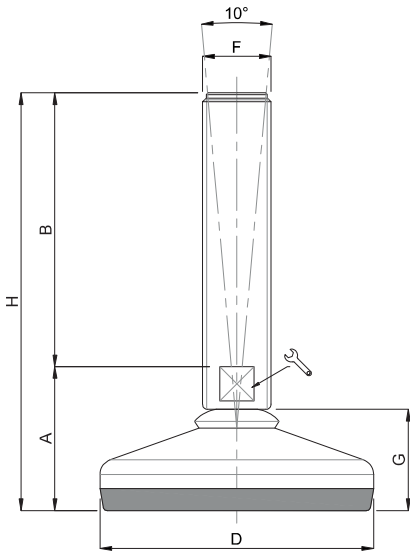


**EPDM**



CODICE - CODE		DESCRIZIONE description	DIMENSIONI PRINCIPALI - MAIN DIMENSIONS							CARICO LOAD NEWTON	
Gomma NBR	Gomma EPDM blu		A	B	D			F	G		H
24900/10R	24900/10RB	M10x50	37	50	ø 80	-	14	M10	30	87	10000
25000/10R	25000/10RB	M10x75	37	75	ø 80	-	14	M10	30	112	10000
25002/10R	25002/10RB	M10x100	37	100	ø 80	-	14	M10	30	137	10000
25004/10R	25004/10RB	M10x125	37	125	ø 80	-	14	M10	30	162	10000
25006/10R/BF	25006/10RB/BF	M10x150	42	150	ø 80	8	-	M10	30	192	10000
25008/10R/BF	25008/10RB/BF	M10x175	42	175	ø 80	8	-	M10	30	217	10000
25010/10R/BF	25010/10RB/BF	M10x200	42	200	ø 80	8	-	M10	30	242	10000
24900/12R	24900/12RB	M12x50	37	50	ø 80	-	14	M12	30	87	10000
25000/12R	25000/12RB	M12x75	37	75	ø 80	-	14	M12	30	112	10000
25002/12R	25002/12RB	M12x100	37	100	ø 80	-	14	M12	30	137	10000
25004/12R	25004/12RB	M12x125	37	125	ø 80	-	14	M12	30	162	10000
25006/12R/BF	25006/12RB/BF	M12x150	42	150	ø 80	10	-	M12	30	192	10000
25008/12R/BF	25008/12RB/BF	M12x175	42	175	ø 80	10	-	M12	30	217	10000
25010/12R/BF	25010/12RB/BF	M12x200	42	200	ø 80	10	-	M12	30	242	10000
25000R	25000RB	M14x75	35	75	ø 80	-	14	M14	30	110	10000
25002R	25002RB	M14x100	35	100	ø 80	-	14	M14	30	135	10000
25004R	25004RB	M14x125	35	125	ø 80	-	14	M14	30	160	10000
25006R	25006RB	M14x150	35	150	ø 80	-	14	M14	30	185	10000
25008R	25008RB	M14x175	35	175	ø 80	-	14	M14	30	210	10000
25020R	25020RB	M16x75	42	75	ø 80	13	-	M16	30	117	10000
25022R	25022RB	M16x100	42	100	ø 80	13	-	M16	30	142	10000
25024R	25024RB	M16x125	42	125	ø 80	13	-	M16	30	167	10000
25026R	25026RB	M16x150	42	150	ø 80	13	-	M16	30	192	10000
25028R	25028RB	M16x175	42	175	ø 80	13	-	M16	30	217	10000
25030R	25030RB	M16x200	42	200	ø 80	13	-	M16	30	242	10000
25040R	25040RB	M20x75	42	75	ø 80	17	-	M20	30	117	10000
25042R	25042RB	M20x100	42	100	ø 80	17	-	M20	30	142	10000
25044R	25044RB	M20x125	42	125	ø 80	17	-	M20	30	167	10000
25046R	25046RB	M20x150	42	150	ø 80	17	-	M20	30	192	10000
25048R	25048RB	M20x175	42	175	ø 80	17	-	M20	30	217	10000
25050R	25050RB	M20x200	42	200	ø 80	17	-	M20	30	242	10000
25052R	25052RB	M20x225	42	225	ø 80	17	-	M20	30	267	10000
25054R	25054RB	M20x250	42	250	ø 80	17	-	M20	30	292	10000
25070R	25070RB	M24x75	42	75	ø 80	20	-	M24	30	117	10000
25072R	25072RB	M24x100	42	100	ø 80	20	-	M24	30	142	10000
25074R	25074RB	M24x125	42	125	ø 80	20	-	M24	30	167	10000
* 25076R	25076RB	M24x150	42	150	ø 80	20	-	M24	30	192	10000
* 25078R	25078RB	M24x175	42	175	ø 80	20	-	M24	30	217	10000
* 25080R	25080RB	M24x200	42	200	ø 80	20	-	M24	30	242	10000
25082R	25082RB	M24x225	42	225	ø 80	20	-	M24	30	267	10000
25084R	25084RB	M24x250	42	250	ø 80	20	-	M24	30	292	10000

\* Disponibile con Filettatura a passo fine. Aggiungere "/P2" al codice  
Available with Thin pitch thread. Please, add "/P2" to the code.





NBR

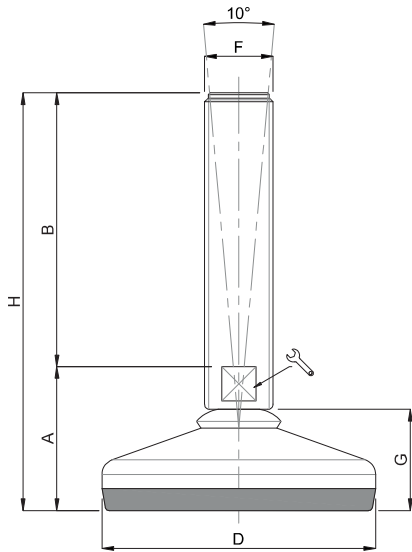


EPDM



CODICE - CODE		DESCRIZIONE description	DIMENSIONI PRINCIPALI - MAIN DIMENSIONS								CARICO LOAD NEWTON
Gomma NBR	Gomma EPDM blu		A	B	D			F	G	H	
25100R	25100RB	M16x75	46	75	ø 100	13	-	M16	33	121	15000
25102R	25102RB	M16x100	46	100	ø 100	13	-	M16	33	146	15000
25104R	25104RB	M16x125	46	125	ø 100	13	-	M16	33	171	15000
25106R	25106RB	M16x150	46	150	ø 100	13	-	M16	33	196	15000
25108R	25108RB	M16x175	46	175	ø 100	13	-	M16	33	221	15000
25110R	25110RB	M16x200	46	200	ø 100	13	-	M16	33	246	15000
25120R	25120RB	M20x75	46	75	ø 100	17	-	M20	33	121	15000
25122R	25122RB	M20x100	46	100	ø 100	17	-	M20	33	146	15000
25124R	25124RB	M20x125	46	125	ø 100	17	-	M20	33	171	15000
25126R	25126RB	M20x150	46	150	ø 100	17	-	M20	33	196	15000
25128R	25128RB	M20x175	46	175	ø 100	17	-	M20	33	221	15000
25130R	25130RB	M20x200	46	200	ø 100	17	-	M20	33	246	15000
25132R	25132RB	M20x225	46	225	ø 100	17	-	M20	33	271	15000
25134R	25134RB	M20x250	46	250	ø 100	17	-	M20	33	296	15000
25150R	25150RB	M24x100	48	100	ø 100	20	-	M24	33	148	15000
25152R	25152RB	M24x125	48	125	ø 100	20	-	M24	33	173	15000
* 25154R	25154RB	M24x150	48	150	ø 100	20	-	M24	33	198	15000
* 25156R	25156RB	M24x175	48	175	ø 100	20	-	M24	33	223	15000
* 25158R	25158RB	M24x200	48	200	ø 100	20	-	M24	33	248	15000
25160R	25160RB	M24x225	48	225	ø 100	20	-	M24	33	273	15000
25162R	25162RB	M24x250	48	250	ø 100	20	-	M24	33	298	15000
25180R	25180RB	M30x100	48	100	ø 100	-	26	M30	33	148	15000
25182R	25182RB	M30x125	48	125	ø 100	-	26	M30	33	173	15000
* 25184R	25184RB	M30x150	48	150	ø 100	-	26	M30	33	198	15000
* 25186R	25186RB	M30x175	48	175	ø 100	-	26	M30	33	223	15000
* 25188R	25188RB	M30x200	48	200	ø 100	-	26	M30	33	248	15000
25200R	25200RB	M30x225	48	225	ø 100	-	26	M30	33	273	15000
25202R	25202RB	M30x250	48	250	ø 100	-	26	M30	33	298	15000

\* Disponibile con Filettatura a passo fine. Aggiungere "/P2" al codice  
Available with Thin pitch thread. Please, add "/P2" to the code.



**NBR**

**EPDM**

CODICE - CODE		DESCRIZIONE description	DIMENSIONI PRINCIPALI - MAIN DIMENSIONS								CARICO LOAD NEWTON
Gomma NBR	Gomma EPDM blu		A	B	D			F	G	H	
25250R	25250RB	M16x75	49	75	Ø 120	13	-	M16	36	124	30000
25252R	25252RB	M16x100	49	100	Ø 120	13	-	M16	36	149	30000
25254R	25254RB	M16x125	49	125	Ø 120	13	-	M16	36	174	30000
25256R	25256RB	M16x150	49	150	Ø 120	13	-	M16	36	199	30000
25258R	25258RB	M16x175	49	175	Ø 120	13	-	M16	36	224	30000
25260R	25260RB	M16x200	49	200	Ø 120	13	-	M16	36	249	30000
25262R	25262RB	M20x75	49	75	Ø 120	17	-	M20	36	124	30000
25264R	25264RB	M20x100	49	100	Ø 120	17	-	M20	36	149	30000
25266R	25266RB	M20x125	49	125	Ø 120	17	-	M20	36	174	30000
25268R	25268RB	M20x150	49	150	Ø 120	17	-	M20	36	199	30000
25270R	25270RB	M20x175	49	175	Ø 120	17	-	M20	36	224	30000
25272R	25272RB	M20x200	49	200	Ø 120	17	-	M20	36	249	30000
25274R	25274RB	M20x225	49	225	Ø 120	17	-	M20	36	274	30000
25276R	25276RB	M20x250	49	250	Ø 120	17	-	M20	36	299	30000
25278R	25278RB	M24x100	51	100	Ø 120	20	-	M24	36	151	30000
25280R	25280RB	M24x125	51	125	Ø 120	20	-	M24	36	176	30000
* 25282R	25282RB	M24x150	51	150	Ø 120	20	-	M24	36	201	30000
* 25284R	25284RB	M24x175	51	175	Ø 120	20	-	M24	36	226	30000
* 25286R	25286RB	M24x200	51	200	Ø 120	20	-	M24	36	251	30000
25288R	25288RB	M24x225	51	225	Ø 120	20	-	M24	36	276	30000
25290R	25290RB	M24x250	51	250	Ø 120	20	-	M24	36	301	30000
25292R	25292RB	M30x100	51	100	Ø 120	-	26	M30	36	151	30000
25294R	25294RB	M30x125	51	125	Ø 120	-	26	M30	36	176	30000
* 25296R	25296RB	M30x150	51	150	Ø 120	-	26	M30	36	201	30000
* 25298R	25298RB	M30x175	51	175	Ø 120	-	26	M30	36	226	30000
* 25300R	25300RB	M30x200	51	200	Ø 120	-	26	M30	36	251	30000
25302R	25302RB	M30x225	51	225	Ø 120	-	26	M30	36	276	30000
25304R	25304RB	M30x250	51	250	Ø 120	-	26	M30	36	301	30000

\* Disponibile con Filettatura a passo fine. Aggiungere "/P2" al codice  
Available with Thin pitch thread. Please, add "/P2" to the code.